

Barrier Mower RI 60/80



HANDBOOK

UK

2. Edition 2016

 **GREENTEC**

Cutting Edge Technology

GreenTec RI 60-80

MANUAL

2. Edition – Aug. 2016

Please ensure that this manual is handed to the operator before using the machine for the first time. The operator must fully understand the contents of this manual before using this machine.

If the machine is resold the Manual must be given to the new owner.

The information contained in this manual is correct at the time of publication. However, in the course of constant development, changes in specification are inevitable. Should you find the information given in this book different to the machine it relates to please contact the “After Sales Department” for advice.



Merkurvej 25
DK 6000 Kolding
Danmark
Tlf: +45 75553644
Fax: +45 75554243
Email: info@greentec.eu
http: www.greentec.eu

© GreenTec Machinery Limited 2015

CONTENTS

INTRODUCTION	4
USEFUL INFORMATION	5
GENERAL INFORMATION	6
CE DECLARATION OF CONFORMITY	7
VEHICLE / TRACTOR PREPARATION	8
Vehicle Ballast.....	8
Front weights.....	8
Rear weights	8
Factors that affect stability.....	9
Suggestions to increase stability	9
SAFETY STICKERS.....	10
SAFETY.....	11
Potential Dangers associated with the use of this machine.....	11
Additional Safety Advice.....	11
BEFORE USING THIS MACHINE.....	13
Always:.....	13
Never:.....	14
GENERAL DESCRIPTION	15
MOVING THE INTER-ROW MOWER	16
INSTALLING AND CONNECTING THE INTER-ROW MOWER.....	17
Mechanical connection of Inter-row mower 60-80 for shredders.....	18
Hydraulic connection to the tractor	18
SAFETY.....	19
SET-UP PROCEDURE.....	20
GETTING STARTED	21
Adjustment of the working height	21
Start for work beginning	21
Start.....	22
PROBLEM SOLVING.....	23
MAINTENANCE	24
Lubrication.....	24
Hydraulic hoses.....	24
Oil supply	25
Pins and bushes.....	26
Storage.....	26
GREENTEC WARRANTY	27

INTRODUCTION

Dear customer!

Your new Greentec machine is constructed with background in more than 20 years experience with tractor mounted machines to maintenance of green areas. This machine is produced by the latest technology and recognized safety regulations, standards and regulations.

We want to make a product available in such a way, that neither the use of the machine during transportation or maintenance of the machine causes any damage or misunderstandings.

This manual contains information and instructions that are important and useful for maintaining your Greentec machine's reliability, dependability and value. Please read this manual carefully as it will familiarize you with the installation, use, care and maintenance. Pay particular attention to the instructions regarding safety.

You are welcome to visit our website www.greentec.eu - where the login via the dealer's access gives you the latest updates on instructional and part books on our entire product range.

We hope you will be pleased with your new Greentec machine.



Best regards,

A handwritten signature in blue ink, appearing to read "John Christensen".

John Christensen
Sales Director Greentec A/S

Greentec's vision is to develop and sell quality machines for the maintenance of green areas, including in agriculture, in industry, at airports and in the local sector. Through innovative product development, we will strive to become a leader in our field.

All machines are developed in a simple and functional design in close cooperation with dealers and end users. It is our goal to cover every need in the market segment with preferably 2 different solutions. In-depth analysis of requirements and serious advice to the customer is offered the best solution, where individual needs can be met through the modularity of the product program.

Our goal is also to offer the best possible after sales service, and a quick and efficient spare parts supply.

USEFUL INFORMATION

Before using the machine for the first time, it's the seller's responsibility that the buyer is given this manual, and the seller is sure, that the buyer fully understands the manual's contents. If the machine is resold, the manual must be transferred to the new owner.

Please fill out the list below to ensure that the necessary information is at hand when ordering spare parts etc.

Serial No

Delivery date

Dealer

Tlf./ fax



GREENTEC

Merkurvej 25

DK 6000 Kolding

Danmark

Tlf: +45 75553644

Fax: +45 75554243

Email: info@greentec.eu

http: www.greentec.eu

Åbningstid: mandag-fredag 8-16

GENERAL INFORMATION

Read this manual before fitting or operating the machine or accessory. Whenever any doubt exists contact your local dealer or the GreenTec Service Department for assistance.

Only use 'Genuine GreenTec Parts' on GreenTec machinery and equipment.

Definitions:

The following definitions apply throughout this manual;



Alerts to a hazardous situation which will result in death or serious injury if not observed carefully.



Alerts to a hazardous situation which will result in death or serious injury if not observed carefully.



Alerts to a hazardous situation which could result in damage to the machine and/or equipment if not observed carefully.



Specific or general information considered important or useful to emphasize.

Left Hand (LH) & Right Hand (RH):

These terms are applicable to the machine when fitted to the tractor and viewed from the rear; these terms also apply to tractor references.

Serial plate

All machines are equipped with a serial number plate containing important information relating to the machine including a unique serial number used for identification purposes.

Note

Images in this manual are provided for instruction and informational purposes only and may not show components in their entirety. In certain instances images may appear different to the actual machine; where this occurs the general procedure will be basically the same.

**CE DECLARATION OF CONFORMITY**

Adapted EEC directive
EG Guideline 2006/42/EF, 89/392/EEC & 98/37/EC

We, **GreenTec A/S**, Merkurvej 25, 6000 Kolding, hereby declare that in terms of its design, method of construction and our execution thereof, the item of machinery described below complies with the basic health and safety regulations of the respective EU Directives. The Machinery Directive is supported by the following harmonized standards:

Product: GreenTec RI 60-80

Product code: 9998002

Serial no:

Type: Inter Row Mower



- DS/EN ISO 12100 3rd edition 2011. Safety of Machinery – General principles for design – Risk assessment and risk reduction.
- DS/EN 953+A1 4th edition 2010. Safety of Machinery – Guards-General requirements for the design and construction of fixed and movable guards.
- DS/EN ISO 4413 1th edition 2010. Hydraulic fluid power – General rules and safety requirements for systems and their components.

The EC Declaration only applies if the machine stated above is used in accordance with the operating instructions.

On behalf of GreenTec A/S

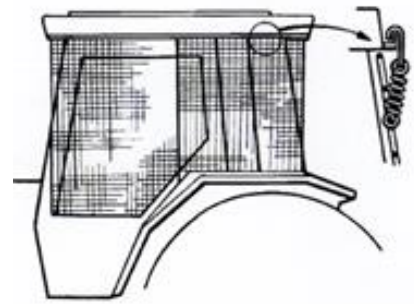
Date: 24.11.2014

Signature: _____

John Christensen Salgsdirektør

VEHICLE / TRACTOR PREPARATION

We recommend vehicles are fitted with cabs using 'safety glass' windows and protective guarding when used with our machines. Fit Operator Guard (See drawing) using the hooks provided. Shape the mesh to cover all vulnerable areas. The driver must be looking through mesh and/or polycarbonate glazing when viewing the working tool in any working position - unless the vehicle/ cab manufacturer can demonstrate that the penetration resistance is equivalent to, or higher than, that provided by mesh/polycarbonate glazing. If the tractor has a roll bar only, a frame must be made to carry both mesh and polycarbonate glazing. The operator should also use personal protective equipment to reduce the risk of serious injury such as; eye protection (mesh visor to EN1731 or safety glasses to EN166), hearing protection to EN352, safety helmet to EN297, gloves and high visibility clothing.



Vehicle Ballast

It is imperative when attaching 'third-party' equipment to a vehicle that the maximum possible stability of the machine and vehicle combination is achieved – this can be accomplished by the utilisation of 'ballast' in order to counter-balance the additional equipment added.

Front weights

May be required for rear mounted machines to place 15% of total outfit weight on the front axle for stable transport on the road and to reduce 'crabbing' due to the drag of the cutting unit when working on the ground.

Rear weights

May be required to maintain a reasonable amount of rear axle load on the opposite wheel from the arms when in work; for normal off-ground work i.e. hedge cutting this should be 20% of rear axle weight or more for adequate control, and for ground work i.e. verge mowing with experienced operators, this can be reduced to 10%.

All factors must be addressed in order to match the type and nature of the equipment added to the circumstances under which it will be used – in the instance of Power Arm hedge cutters it must be remembered that the machines centre of gravity during work will be constantly moving and will differ from that during transport mode, therefore balance becomes critical.

Factors that affect stability

- Centre of gravity of the tractor/machine combination.
- Geometric conditions, e.g. position of the cutting head and ballast.
- Weight, track width and wheelbase of the tractor.
- Acceleration, braking, turning and the relative position of the cutting head during these operations.
- Ground conditions, e.g. slope, grip, load capability of the soil/surface.
- Rigidity of implement mounting.

Suggestions to increase stability

- Increasing rear wheel track; a vehicle with a wider wheel track is more stable.
- Ballasting the wheel; it is preferable to use external weights but liquid can be added to around 75% of the tyre volume – water with anti-freeze or the heavier Calcium Chloride alternative can be used.
- Addition of weights – care should be taken in selecting the location of the weights to ensure they are added to a position that offers the greatest advantage.
- Front axle locking (check with tractor manufacturer).

Note

The advice above is offered as a guide for stability only and is not a guide to vehicle strength. It is recommended that you consult your vehicle manufacturer or local dealer to obtain specific advice on this subject, additionally advice should be sought from a tyre specialist with regard to tyre pressures and ratings suitable for the type and nature of the machine you intend to fit.

SAFETY STICKERS



WARNING

Avoid fluid escaping under pressure. Consult technical manual for service procedures.



WARNING

Stop engine and remove key before performing maintenance or repair work.



WARNING

Danger – flying objects. Keep safe distance from the machine as long as the engine is running.



WARNING

Check all nuts and bolts are tight every 8 hours - retighten if required.



WARNING

Stay clear of rotating saw blades / knives.



WARNING

Carefully read operator's manual before handling this machine. Observe instructions and safety rules when operating.



WARNING

Do not remove / open guard when parts are rotating



WARNING

The recommended oil flow has been adjusted by the manufacturer. Never exceed this.

SAFETY

This machine has the potential to be extremely dangerous - in the wrong hands it can kill or maim; it is therefore imperative that both owner and operator of the machine reads and understands the following section to ensure they are fully aware of the dangers that do, or may exist, and their responsibilities surrounding the use and operation of the machine. The operator of this machine is responsible not only for their own safety but equally for the safety of others who may come into the close proximity of the machine, as the owner you are responsible for both.

All operators must be fully competent in the use of this machine and also the machine to which it is attached and must read and understand the operation manuals for both machines before attempting to attach or operate this equipment.

When the machine is not in use it should be lowered to rest on the ground. In the event of any fault being detected with the machine's operation it must be stopped immediately and not used again until the fault has been corrected by a qualified technician.

Potential Dangers associated with the use of this machine

- Being hit by debris thrown by rotating components.
- Being hit by machine parts ejected through damage during use.
- Being caught in other moving parts i.e.: belts, pulleys and cutting heads.
- Being hit by cutting heads or machine arms as they move.
- Becoming trapped between tractor and machine when hitching or unhitching.
- Tractor overbalancing when machine arm is extended.
- Injection of high-pressure oil from hydraulic hoses or couplings.
- Machine overbalancing when freestanding (out of use).
- Road traffic accidents due to collision or debris on the road.

Additional Safety Advice

Training

Operators need to be competent and fully capable of operating this machine in a safe and efficient way prior to attempting to use it in any public place. We advise therefore that the prospective operator make use of relevant training courses available such as those run by the Agricultural Training Board, Agricultural Colleges, Dealers and GreenTec.

Working in Public Places

When working in public places such as roadsides, consideration should be paid to others in the vicinity. Stop the machine immediately when pedestrians, cyclists and horse riders etc. pass. Restart only when they are at a distance that causes no risk to their safety.

Warning Signs

It is advisable that any working area be covered by suitable warning signs and statutory in public places. Signs should be highly visible and well placed in order to give clear advanced warning of the hazard. Contact the Department of Transport or your Local Highways Authority to obtain detailed information on this subject. The latter should be contacted prior to working on the public highway advising them of the time and location of the intended work asking what is required by way of signs and procedure. – ‘*Non-authorized placement of road signs may create offences under the Highways Act*’.

Suggested Warning Signs Required

‘**Road works ahead**’ warning sign with a supplementary ‘**Grass cutting**’ plate. ‘**For 1 km**’ or appropriate shorter distance may be added to the plate. ‘**Road narrows**’ warning signs with supplementary ‘**Single file traffic**’ plate. White on blue ‘**Keep left**’ (*) arrow sign on rear of machine.

* Note

This applies to EU Market machines where traffic passes to the left of a machine working in the same direction as the traffic flow. The direction, use and colour of the arrow sign will depend on the country of use and the Local Highway Authorities regulations in the locality.

Use of Warning Signs

- On two-way roads one set of signs is needed facing traffic in each direction.
- Work should be within 1 km of the signs.
- Work only when visibility is good and at times of low risk e.g.: NOT during ‘rush-hour’.
- Vehicles should have an amber-flashing beacon.
- Ideally, vehicles should be conspicuously coloured.
- Debris should be removed from the road and path as soon as practicable, and at regular intervals, wearing high visibility clothing and before removing the hazard warning signs.
- Collect all road signs promptly when the job is completed.

Safety Gear

It is recommended that the following personal protective equipment is worn when operating and/or maintaining this machine; Coveralls, safety boots, safety glasses, hearing protection, safety helmet, protective gloves.



Although the information stated here covers a wide range of safety subjects it is impossible to predict every eventuality that can occur under differing circumstances whilst operating this machine. No advice given here can replace ‘good common sense’ and ‘total awareness’ at all times, but will go a long way towards the safe use of your GreenTec machine

BEFORE USING THIS MACHINE

Always:

- Ensure the operator has read this handbook and has been trained to use the machine.
- Ensure that the tractor meets the minimum weight recommendations of the machine manufacturer and that ballast is used if necessary.
- Ensure all cab safety guards are in place and all tractor windows are closed. Never allow an inexperienced person to operate the machine without supervision. If tractor is without cabin then mount metal mesh or polycarbonate guards of suitable size and strength to protect the operator against thrown debris or parts
- Wear ear defenders if operating without a quiet cab or with the cab windows open.
- Inspect work area for wire, steel posts, large stones and other dangerous materials. If such items are found, remove them.
- Work at a safe speed, taking into account terrain, passing vehicles and obstacles.
- Never start or continue to work a machine if people are nearby or approaching - Stop and wait until they are at a safe distance before continuing. **WARNING:** Some cutting heads may continue to 'freewheel' for up to 20 seconds or more after being stopped.
- Remove the ignition key, before leaving the cab.
- Ensure that the mower is firmly on the ground, no weight is on the tractor's hydraulics and blades / knives have stopped spinning, before leaving the tractor cab
- Check that all safety guards are properly fitted, check there are no damaged or loose parts.
- Beware of the danger of overhead power cables. The operator must be aware of the maximum height and reach of the machine when working under power cables. The minimum legal height for 11,000 and 22,000-volt cables is 5.2 metres from the ground. When fully extended, the machine may well exceed this height so extreme caution should be practised. For more information contact the Health and Safety Executive or your local power company.
- Ensure that all warning labels are always visible and that they are not damaged, defaced or missing.
- Follow the manufacturer's instructions for attachment and removal of machine from the tractor.

Never:

- Operate the machine until you have read and understood the relevant Handbook and are familiar with the controls.
- Operate the machine with other people present, as it is possible for debris to be thrown from the mower in all directions.
- Use a machine that is poorly maintained or has guards that are damaged or missing.
- Allow an inexperienced person to operate the machine without supervision.
- Use or fit a machine onto a tractor if it doesn't meet the manufacturer's specification.
- Allow children to play on or around the machine at any time.
- Attempt any maintenance or adjustment without first disengaging the hydraulic pump, lowering the head to the ground, stopping the tractor engine and applying the tractor parking brake.
- Exceed maximum oil pressure of 200 bar in the hydraulic hoses.
- Use a machine if the hydraulic system shows signs of damage.
- Attempt to detect a hydraulic leak with your hand, use a piece of card.
- Operate the tractor or any controls from any position other than from the driving seat.
- Operate with knives missing.
- Operate with wire around the knives. Stop immediately.
- Use the head at an angle, which may throw debris towards the cab.
- Leave the cab without removing the ignition key.
- Attempt to use the machine for any purpose other than that it was designed for.
- Attempt any maintenance or adjustment without first disengaging the hydraulic pump, lowering the head to the ground, stopping the tractor engine and applying the tractor parking brake.
- Enter the working area of the machine (risk of injury!).

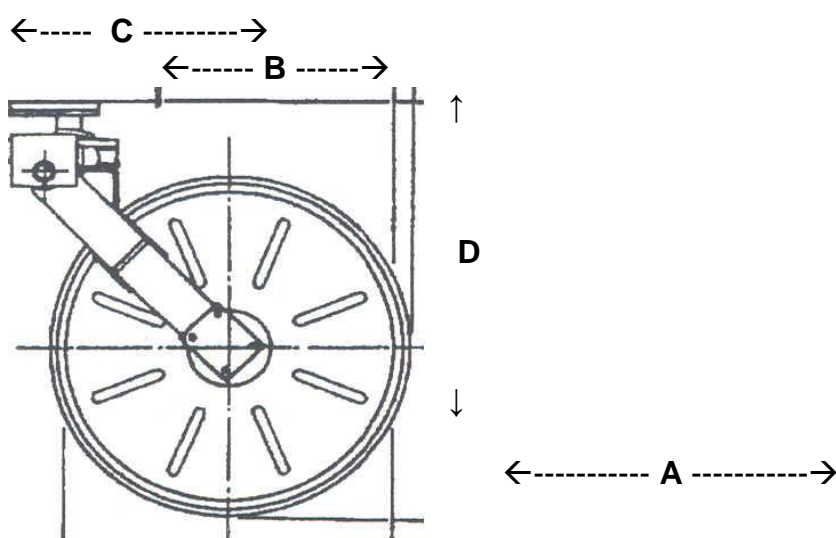
GENERAL DESCRIPTION

The inter-row mower is available as a separate accessory to same shredder models. It is ideal for cleaning the areas between the row trees; it can also be used for cutting grass on the ditch edges.

It consists of an iron disk protected by a rubber guard, which prevents trees from being damaged during contact. The disk rotates freely irrespective of the blades rotation.

The mowing unit is fitted with jointed blades and is installed underneath the disk. The mowing head is driven by a hydraulic gear angina.

Moreover they can either be supplied with snap-on joints for an easy connection to the tractor hydraulic system or complete with separate hydraulic system to be connected to the shredder gearbox.



Inter-row mower $\varnothing 60$ - $\varnothing 80$

Model	A			B	C	D	E	E
	Cutting width cm	Weight kg	Knives	Cutting reach	Disk reach	Length	Height min	Height max
Ø60	60	60	2	46	52	81	34	44
Ø80	74	75	2	56	61	90	34	44

MOVING THE INTER-ROW MOWER

This chapter provides useful information for moving the inter-row mower properly. The following is directed to the **TRAINED TECHNICAL STAFF** with adequate knowledge to properly and safely operate the fork lift, the lifting bridge and whatever else may be needed.

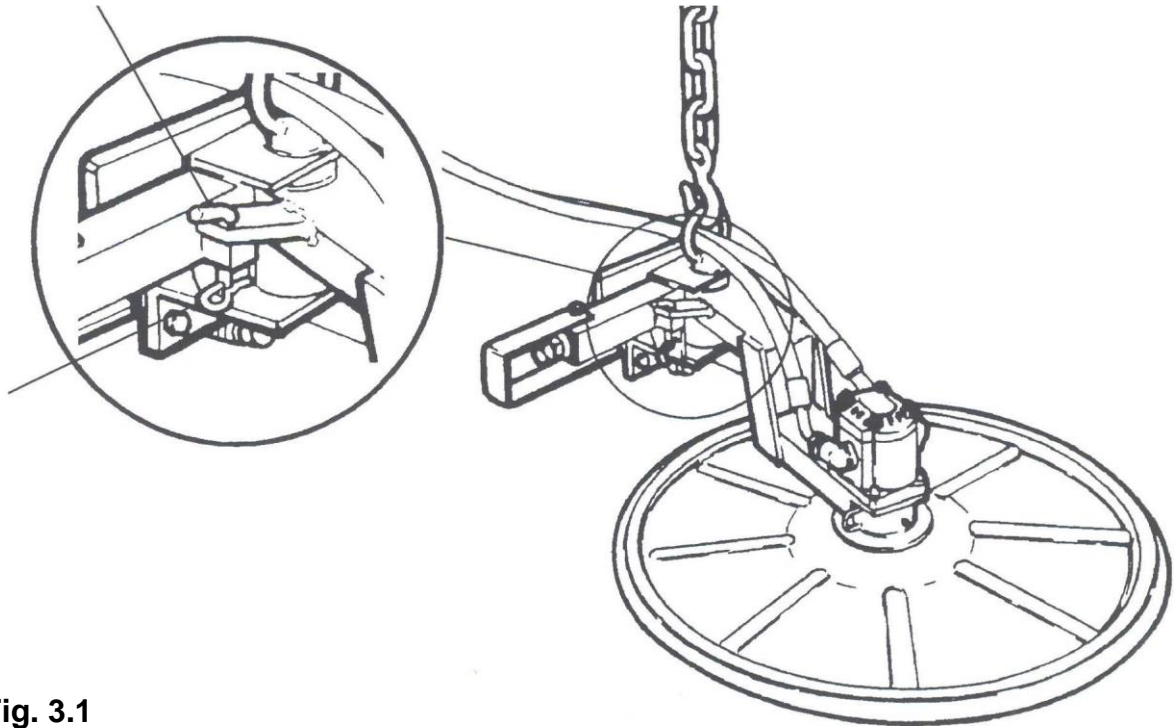


Fig. 3.1

Lift as shown in Fig. 3-1.

▲ DANGER

Before any lift make sure the chains or the belt can withstand a load adequate to the inter-row mower weight.

▲ CAUTION

Move only when the inter-row mower is closed and locked with the blocking plug 1 and the safety pin 2 (Fig. 3-1).

INSTALLING AND CONNECTING THE INTER-ROW MOWER

This Chapter will provide you with useful information for installing and connecting the inter-row mower.

The following is directed to the **trained technical staff** as far as the first connection is concerned, and to the **operator** as far as the normal inter-row mower use is concerned.

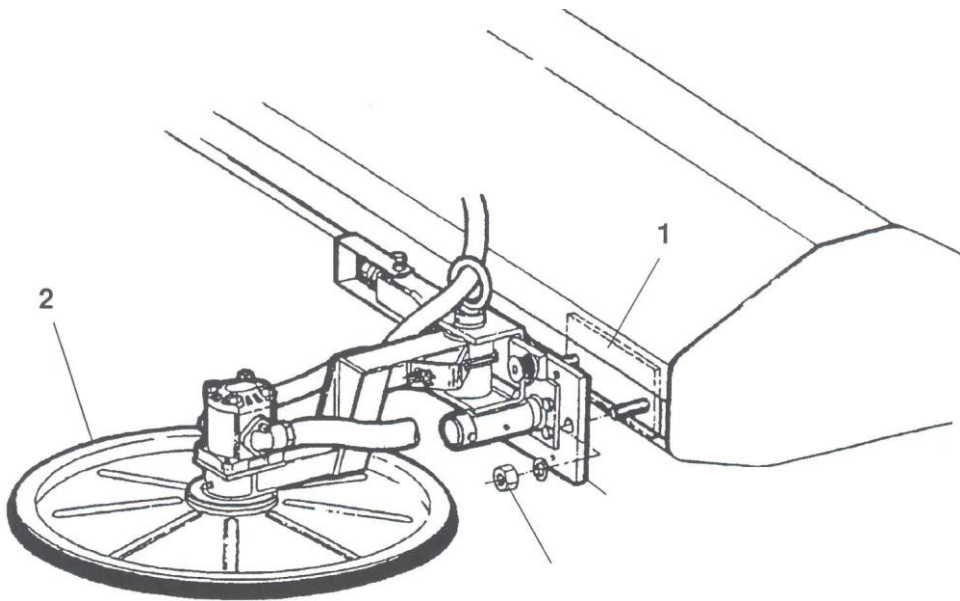


Fig. 4-1 Assembly of the inter-row mower $\varnothing 60 - \varnothing 80$

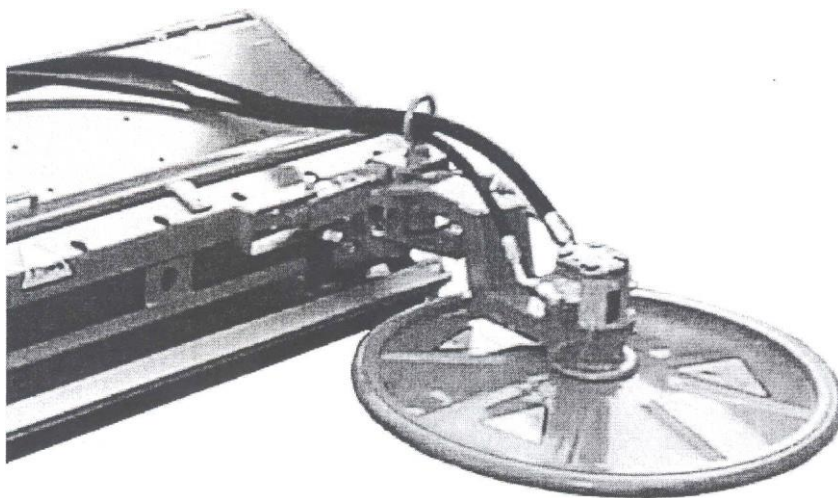


Fig. 4-2 Inter-row mower $\varnothing 60 - \varnothing 80$ after assembly

Mecanical connection of Inter-row mower 60-80 for shredders

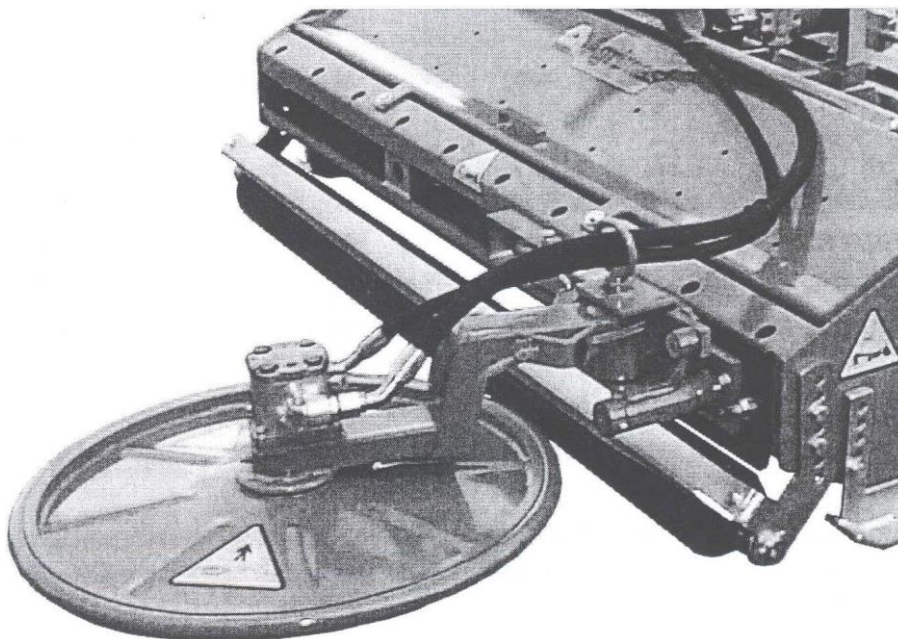
Head assembly required staff: 2 OPERATORS

Insert the counter plate in the provided seat on the shredder chassis (Fig. 4-1) making sure the bolts face outwards.

Approach the head to the shredder chassis as to insert the bolts of the counter plate in the holes of the adjustment bracket. Block with the nuts.

▲WARNING

Before tightening the nuts, make sure the disk welded behind the adjustment plate is in guide in the opening of the shredder chassis.



Hydraulic connection to the tractor

The inter-row mowers $\varnothing 60$ - $\varnothing 80$ can be supplied without separate hydraulic system, to be attached directly to the tractor hydraulic system.

Required staff

First connection - 1 trained technician

Following connections - 1 operator

Connect the quick joints of the hydraulic motor pipes of the inter-row mower to the tractor hydraulic system.

NOTICE

The distributor operating the inter-row mower should be equipped with a lever control device.

SAFETY

This Chapter will provide you with useful information regarding the safety systems and devices adopted in order to make the use of the inter-row mower safer.

Removing or tampering with any safety device is strictly prohibited.

The following is directed to the **operator** and to **the trained technician**.

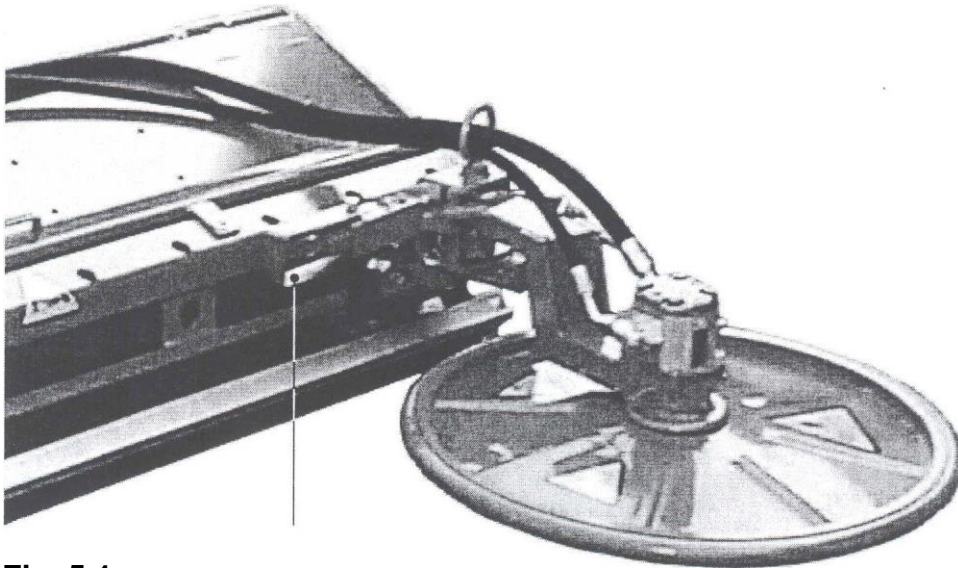


Fig. 5.1

Safety devices

Spring protection (Fig. 5-1):

The break back spring is protected by the bolt-on part. In case of failure in the steel cable it prevents the break back spring from being projected in the distance.

▲ CAUTION

During the inter-row mower operation no living thing should stand within a 50 m distance from the working area.

▲ DANGER

When the inter-row mower is in function do not attempt to insert or remove material underneath the head disk with any tool or with your hands or feet.

SET-UP PROCEDURE

This Chapter will provide you with good understanding of the inter-row mower set-up procedure before starting to work. The following steps may be performed by the **operator** and more generally by all **trained technical staff**.

CAUTION

Make sure to perform all adjustments while the inter-row mower is not moving.

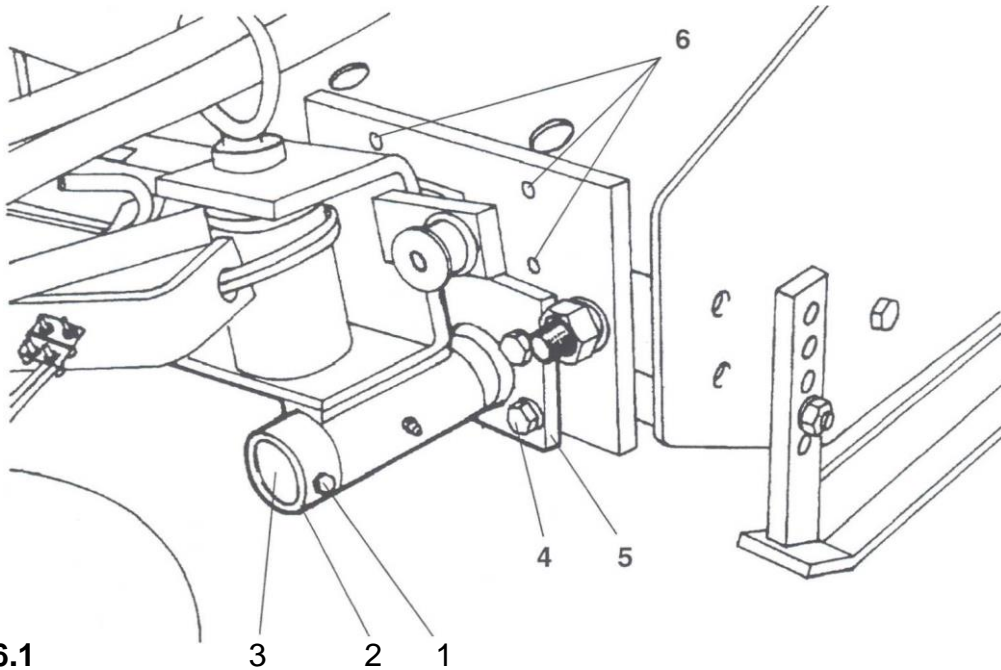


Fig. 6.1

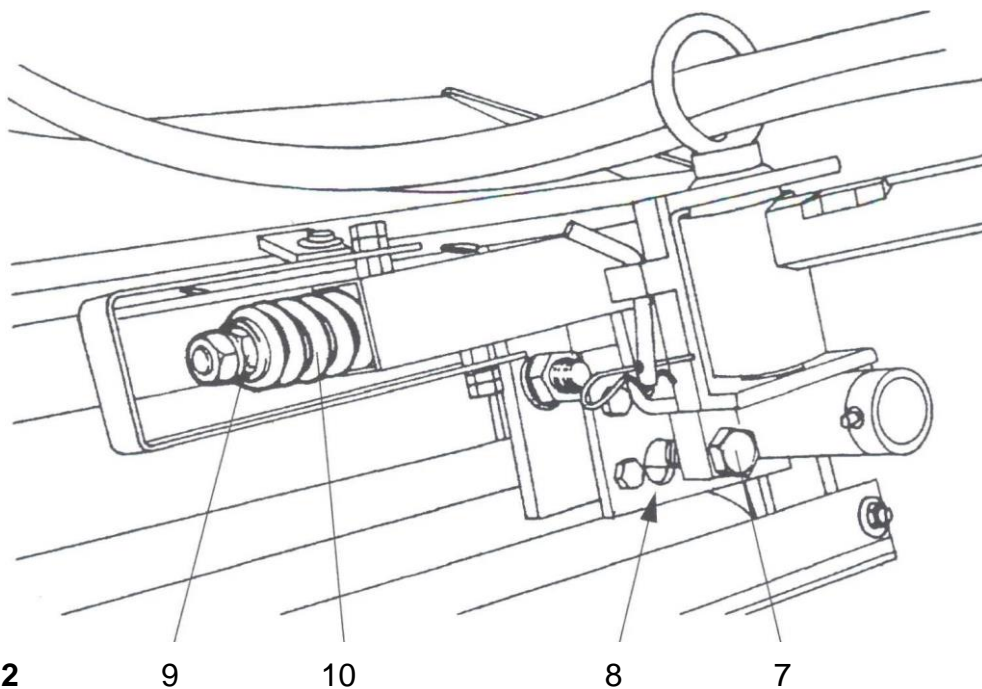


Fig. 6.2

GETTING STARTED

⚠ WARNING

Operate the starting device of the inter-row mower only when the PTO is stationary. If the inter-row mower is started while the tractor PTO is turning the hydraulic system may be dangerously overloaded and failures may occur.

Adjustment of the working height

Required staff - 1 operator

To do

- Remove the bolt 1 and the bushing 2.
- Take the mower out of the pin 3.
- Remove the bolts 4
- Install the plate 5 using of the series 6 the four most suitable holes for the desired working height.
- Put the inter-row mower back into the pin 3 and make sure that the bolt 7 is placed in the hole 8 (Fig. 6-2).
- Put the bushing 2 and the bolt 1 back in place.

⚠ WARNING

Before starting the inter-row mower make sure that the disk of the mowing unit does not touch the ground.

Break back adjustment

Required staff - 1 operator

If the inter-row mower falls back to its working position adjust the nut 9, (Fig. 6-2) in order to further load the break back spring 10.

Start for work beginning

- Operate the inter-row mower starter.
- Insert the PTO and release the clutch slowly, in order to avoid overloading the transmission.
- Make the tractor PTO reach the correct speed.
- Decide the ground speed depending on the Grass height.

⚠ WARNING

Make sure not operate with the tractor proceeding in reverse. In this case the arm break back of the interrow mower does not work and in case of obstacles the mechanical parts might be seriously damaged.

Start

RI 60-80 It is recommended that forward speed is kept to a minimum when starting work in order to retain the correct working speed of the blades. Set the angle of the cutter so it is positioned at right angles to the work and adjust the machine position so the knives meet the grass 'straight on'.

Wherever possible try to keep the knives running horizontal in relation to the direction of travel, this will help prevent them from 'distorting' during operations.

Should small branches, debris or unwanted material get stuck in the knives the **machine and tractor must be switched off** and the ignition key removed before attempting to clear the blockage. Use safety glasses and work gloves during work. If the tool is raised for any reasons it **must** be supported in a secure way.

WARNING

RI 60-80: Never use the tool with broken knives.

WARNING

RI 60-80: Great care must be taken when attempting to clear debris from the blade and/or belt area of the machine; sharp components and numerous pinch risk points exist in these locations. Safety gloves and safety eyewear should be worn and wherever possible a suitable tool should be used to remove any debris to ensure hands and fingers are kept clear of any risk areas.

DANGER

RI 60-80: Never use the tool for any other purposes than described in this manual.

When in charge of the machine always obey the following rules:

- Always inspect the work area prior to operation and remove any dangerous materials.
- Never operate the machine with persons or animals in close proximity.
- Ensure all cab guarding is in place and the tractor windows are kept shut.
- Only operate the machine at the correct knife speed.
- Never approach the machine when it is running, always switch it off and stop the tractor.
- Always remove the vehicle ignition key before leaving the cab.
- Never use the machine to perform tasks it was not designed for.
- Always lower the machine to rest on the ground when the unit is parked up or not in use.

PROBLEM SOLVING

Finding the cause of the problem

When encountering a problem, stop the inter-row mower immediately and after the blades have come to a standstill look for the cause of the trouble.

TROUBLE	POSSIBLE CAUSE	REMEDY	Required STAFF
Noise during operation.	Poor lubrication of mowing unit ball bearings. Foreign bodies wrapped around the mowing unit.	Lubricate as to the manual. Remove the foreign bodies	OPERATOR OPERATOR
Excessive vibrations	Broken blades.	Replace the blades.	OPERATOR
Irregular cut	Broken blades. Wrong speed of tractor PTO.	Replace the blades. Check the PTO speed.	OPERATOR OPERATOR
Won't cut.	Mowing unit disk touches the ground. Wrong speed of tractor PTO.	Adjust height. The working Check the PTO speed.	OPERATOR OPERATOR
The mowing stops.	Oil overheating.	Adjust the working height or reduce ground speed.	OPERATOR
Oil! Overheating.	Mowing unit disk touches the ground High ground speed with respect to the material! to cut.	Adjust height. Reduce tractor ground speed.	OPERATOR OPERATOR
Fast wear-out of the blades.	The blades touch the ground.	Adjust the cutting height	OPERATOR

MAINTENANCE

Lubrication

After machine wash

Lubricate all machine parts and extra equipment after each wash.

Hydraulic hoses

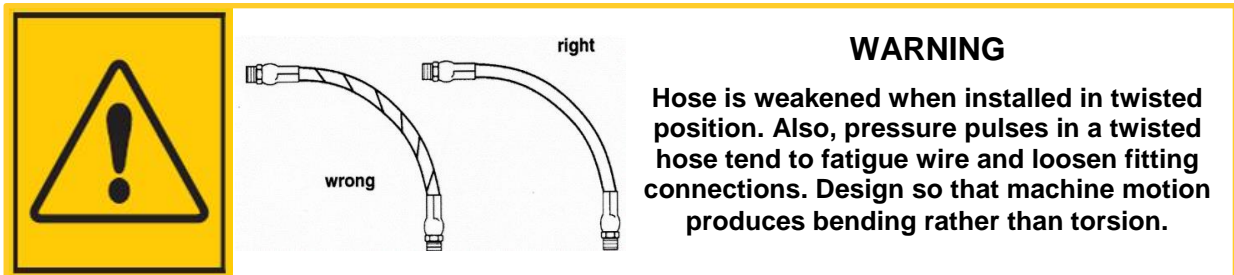
Carefully check condition of all hoses during routine service paying particular attention to chafed outer casing. Secure wrap with waterproof adhesive tape to stop the metal braid from rusting.

Daily inspect all hydraulic hoses and fittings to be in good order. Any damages or leaks must be rectified immediately; this is part of the daily maintenance and is your responsibility, to ensure a long reliable working life.

Hoses with damaged metal braid should be replaced.

When replacing hoses quote number stamped on fitting at one end. The Spearhead hydraulic system works at very high pressure, when replacing hoses use only genuine hoses, a burst hose could be very dangerous.

When replacing hoses to avoid twisting fitting, use two spanners to slacken and tighten.



Always check the black protective sleeve is in good order, to replace sleeve is far cheaper than replacing expensive hoses.

Hose warranty is limited to replacement of hoses due to faulty materials or manufacture. Warranty will not be considered on hoses damaged by chafing, abrasion, cuts or pinching while in work, or to damaged threads due to over tightening.

Oil supply

- Daily before starting up check oil level in tank reservoir.
- It is a good practice to constantly keep an eye on the tank level gauge as a pipe burst could empty the tank within minutes.
- A pump or motor starved of oil will be damaged beyond repair.
- Replace oil if signs of contamination occur (discolored)

Contamination can be reduced by:

- Thoroughly cleaning around reservoir cap before removing.
- Using a clean container when replenishing the system.
- Regularly servicing the filtration system.
- Never allowing oil level to fall below the sight gauge.

Daily inspect all hydraulic connections and fittings to be in good order. Any damage or leaks must be rectified immediately; this is part of the daily maintenance and is your responsibility, to maintain a long reliable working life.

When tightening fittings always use two spanners when necessary and do not over tighten. If a fitting leaks it will need to be replaced.

MODEL	OIL QUANTITY IN L/MIN.
RI 60 & 80	25 / 40 Liter/ 150 bar

MAINTENANCE DIAGRAM	
Maintenance intervals	Operation
Before a working session	Blades inspection
	Inspection of oil level in hydraulic system tank
Every 8 working hours	Inter-row mower cleaning
	Lubrication

Pins and bushes

All main pivot points are furnished with replaceable bushes. If there are any signs of wear, these must be replaced. All bushes are available from GreenTec's Parts Department.



WARNING

Do not use grease containing Molybdenum disulphide on nylon bushes and wear pads.

Storage

Before storing away, thoroughly wash the machine removing all traces of grass and dirt. Great care must be taken when washing with high-pressure hoses, do not hold the water jet close to the paintwork. Use steam cleaners with caution; be sure to remove all detergents to avoid any discolouring or damage to paint. Grease all grease points until fresh grease shows. It is important where possible to store undercover to protect against rain and sunlight. Always ensure a firm level surface. Control levers must be wrapped in plastic sheeting and taped over to keep dry.

Option

Joy stick and electrical equipment, which are NOT water tight, must be wrapped in plastic to keep them dry. Or dismantled.



WARNING

Before you attempt to do any repairs, service, maintenance or adjustment on your machine, ensure that the engine has stopped and the key is removed. PTO is disengaged, hand brake secure and the tool is firmly on the ground.

Remember regular maintenance will greatly increase the life of the machine.

GREENTEC WARRANTY

GreenTec warrants that the GreenTec machine referred to in the Warranty Registration Form will be free from defects in materials and workmanship for a period of 12 months from the date of sale. This warranty does not affect your statutory rights, but merely adds to them. Should you have a problem within 12 months from the date of sale please contact your original GreenTec dealer, or GreenTec's Service Department. Any part found to be defective during this period will be replaced or repaired, at GreenTec's discretion, by the dealer or a GreenTec Service Engineer.

GreenTec Warranty Conditions

1. The Warranty Registration Form (green page) must be completed and returned to GreenTec within 7 days of the date of sale
2. This warranty does not cover defects arising from fair wear and tear, willful damage, negligence, misuse, abnormal working conditions, use in competition, failure to follow GreenTec's instructions (oral or written, including all instructions and recommendation made in the Operator's Manual) or alteration or repair of the machinery without GreenTec's approval.
3. The machinery must have been serviced in accordance with the Operator's Manual and the Service Log must have been kept up to date and made available to the dealer should service, repair or warranty work be undertaken.
4. This warranty does not cover claims in respect of wearing parts such as blades, flails, paintwork, tires, belts, hydraulic hoses, bearings, bushes, linkage pins, top links, ball ends unless there is a manufacturing or material defect or the cost of normal servicing items such as oils and lubricants.
5. This warranty does not cover any expenses or losses incurred whilst the machinery is out of use for warranty repairs or parts replacement.
6. This warranty does not extend to parts, materials or equipment not manufactured by GreenTec, for which the Buyer shall only be entitled to the benefit of any such warranty or guarantee given by the manufacturer to GreenTec. Only genuine GreenTec replacement parts will be allowable for warranty claims.
7. All parts replaced by GreenTec under warranty become the property of GreenTec and must be returned to GreenTec if GreenTec so requests. Such parts may only be disposed of after a warranty claim has been accepted and processed by GreenTec.
8. GreenTec is not liable under this warranty for any repairs carried out without GreenTec's written consent or without GreenTec being afforded a reasonable opportunity to inspect the machinery the subject of the warranty claim. GreenTec's written consent must, therefore, be obtained before any repairs are carried out or parts replaced. Use of non- GreenTec parts automatically invalidates the GreenTec Warranty. Failed components must not be dismantled except as specifically authorized by GreenTec and dismantling of any components without authorization from GreenTec will invalidate this warranty.
9. All warranty claims must be submitted to GreenTec on GreenTec Warranty Claim Forms within 30 days of completion of warranty work.

Using the machine implies the knowledge and acceptance of these instructions and the limitations contained in this Manual.



Merkurvej 25 | DK-6000 Kolding | Tel.: +45 7555 3644 | info@GreenTec.eu | www.GreenTec.eu

Cutting Edge Technology